

AF series

from 35 to 500 litres



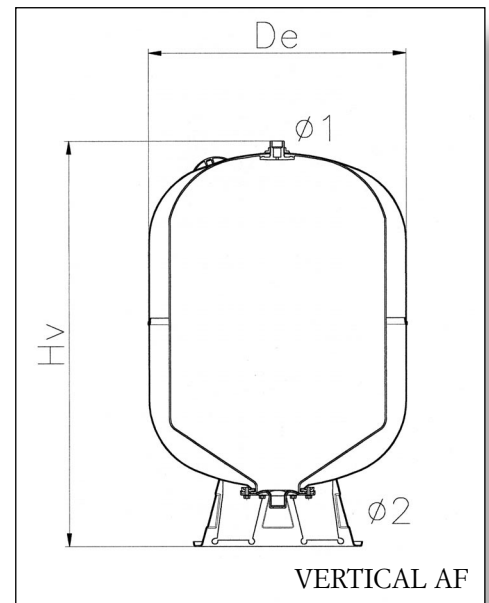
The AF series replaceable bladder accumulators come in models with a 50 to 500 litres capacity, and are best suited for residential and industrial systems requiring substantial delivery capacities.

Supplied at 10 bars export version, in the WRc and CE certified version, the AF series accumulators are also available in customised versions compliant with major international standards. The horizontal version is provided with universal motor-support brackets to allow the pump to be directly fastened above the vessel.



Characteristics:

- Sturdy construction in prime quality long life steel.
- Non toxic replaceable bladder for alimentary use, flexible enough to allow full expansion inside the tank, thus, enhancing performances and ensuring a longer product cycle.
- Long-lasting epoxy paint treatment to ensure greater protection against atmospheric corrosion.
- Complete separation between water and air;
- No contact between water and the inner surface of the tank;
- Suitable for sanitary water till +99°C;
- CE certified;
- Working temperatures: -10° ÷ +99°C.



Type	litres	Work. Pres. bar	Prec. Pres. bar	De mm	Hv mm	Ho mm	L mm	ø1	ø2	Packaging		Notes
										vertical mm	horizontal mm	
AF 35	35	10	1.5	400	-	-	400	3/4" - 1"	-	410x410x410	-	-
AF 50	50	10	1.5	400	600	425	515	-	1"	410x410x610	410x530x440	-
AF 60	60	10	1.5	400	750	480	675	1/2"F - 3/4" M	1"	410x410x760	410x685x490	-
AF 80	80	10	1.5	400	815	480	765	1/2"F - 3/4" M	1"	410x410x860	410x775x490	-
AF 100	100	10	1.5	500	805	585	720	1/2"F - 3/4" M	1"	510x510x830	510x730x600	ø2 = 1"
AF 150	150	10	1.5	500	1030	-	-	1/2"F - 3/4" M	1" 1/4	510x510x1040	-	-
AF 200	200	10	1.5	600	1065	665	970	1/2"F - 3/4" M	1" 1/4	610x610x1110	610x950x680	-
AF 300	300	10	1.5	650	1270	705	1130	1/2"F - 3/4" M	1" 1/4	660x660x1290	660x1140x720	-
AF 500	500	10	1.5	775	1420	-	-	1/2"F - 3/4" M	1" 1/4	785x785x1440	-	Solo verticale

1 MPa = 10 bar

