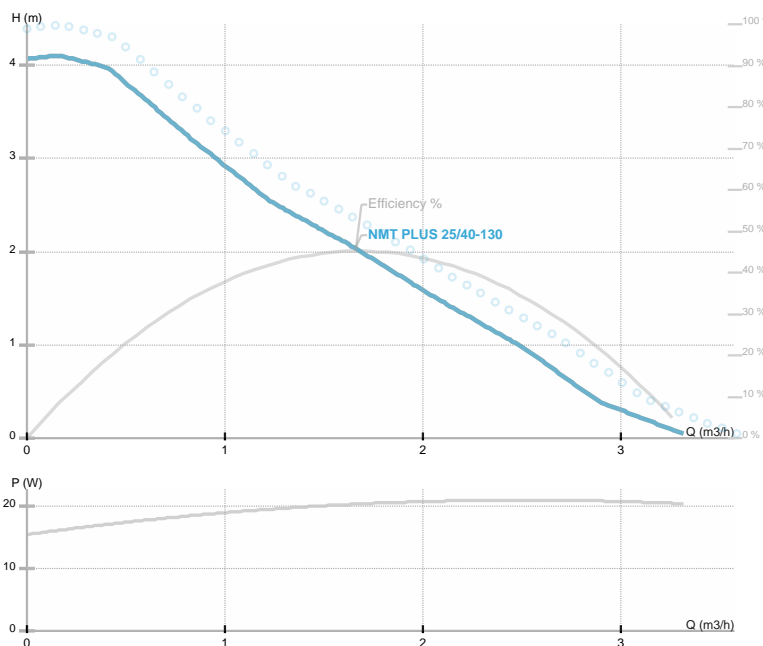




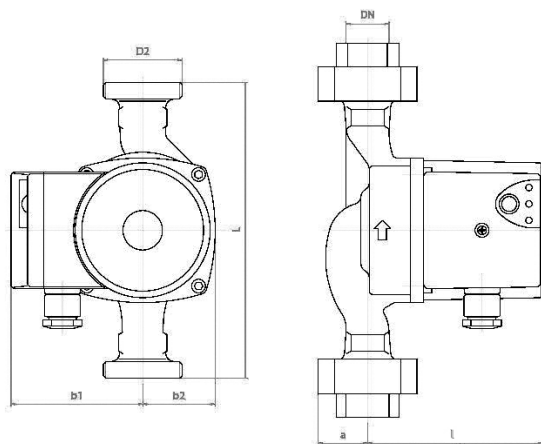
NMT PLUS 25/40-130

NMT PLUS / Electronically regulated circulating pump
 Heating/cooling, Klimatizacija



Part number	979523842
Power supply	1~230 V
Declared protection	IP44
Q max	3.32 [m³/h]
H max	4.1 [m]
RPM	3500 [1/min]
Motor power	21 [w]
Declared current	0.2 [A]
Fluid	Water VDI 2035, glycol 40%
Fluid temperature	-10.0 ÷ 110.0 [°C]
Insulation class	F
DN	25 [mm]
Connector	G 1 ½
Net weight	2.20 [kg]
Length	130 [mm]
Approvals	CE EAC
EEL	0.16
Efficiency	45.44 [%]
Impeller material	Noryl 1630V
Bearing material	Ceramics
Shaft material	Ceramics
Hydraulics material	Gray cast iron
Mains frequency	50 Hz
Connection	G 1 ½
Max pressure	1.0 MPa
Ambient temp.range	40 deg C

Dimension drawing



L=130 DN=25 b1=79 b2=47,5 l=108 a=32 D2=6/4

Electrical wiring