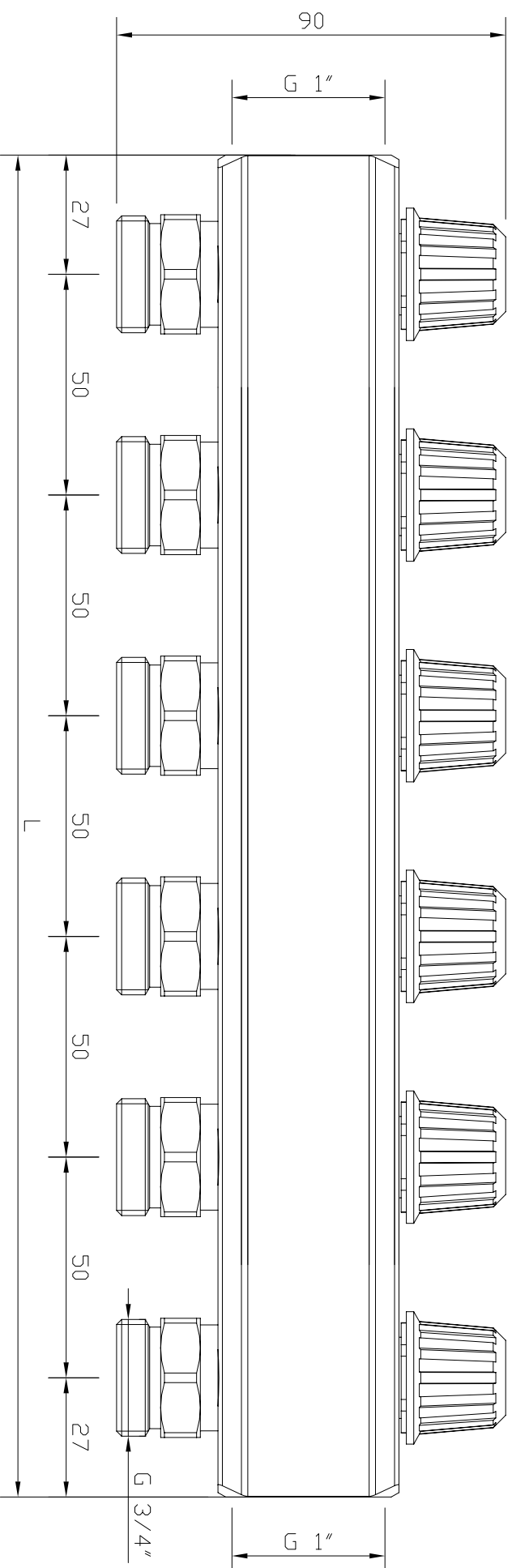
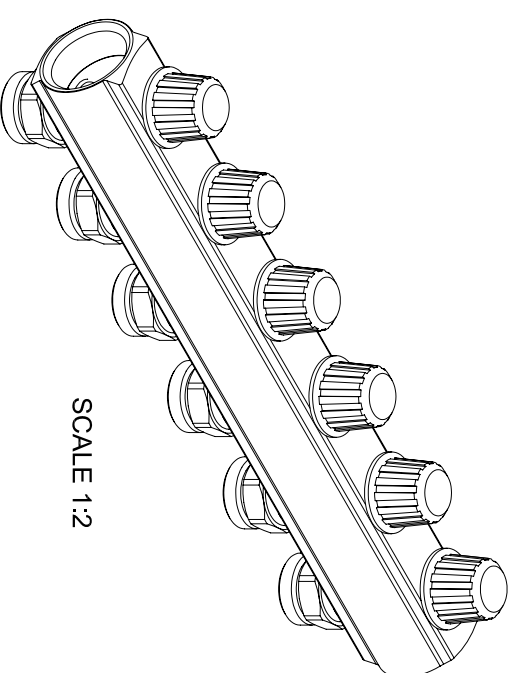


# Art. 1005 - Euroconus connections



EXIT	CODE	L=mm
1	871005PF06	54
2	871005PG06	104
3	871005PH06	154
4	871005PJ06	204
5	871005PQ06	254
6	871005PK06	304
7	871005PR06	354
8	871005PL06	404
9	871005PS06	454
10	871005PM06	504
11	871005PT06	554
12	871005PU06	604
13	871005PV06	654
14	871005PW06	704
15	871005PY06	754



ARTICLE 1005 - G 1" Delivery manifold with		
PARTICULAR micrometric regulation lockshields		
Manifold assembled		
DRAWN P.A.	CHECKED F.U.	DATE 16/01/04
FILE CODE SEE TABLE		SCALE 1:1