

SKALA PANEL RADIATORS HEATING CAPACITIES (watt & kcal/h) 75/65 °C																	
RADIATOR TYPE	Radiator Height (mm)	ROOM TEMPERATURE (°C)															
		10 °C		12 °C		15 °C		18 °C		20 °C		22 °C		24 °C		26 °C	
		W	kcal/h	W	kcal/h	W	kcal/h	W	kcal/h	W	kcal/h	W	kcal/h	W	kcal/h	W	kcal/h
10 - P	300	401	347	391	338	364	315	341	295	327	283	311	269	298	258	214	185
	400	503	435	486	420	459	397	430	372	412	356	394	341	376	325	271	234
	500	607	525	585	506	553	478	518	448	498	431	475	411	455	393	327	283
	600	709	613	684	591	646	559	722	624	674	583	554	479	529	457	384	332
	900	1017	879	981	848	926	801	869	751	834	721	796	688	759	656	547	473
11 - PK	300	609	527	588	508	555	480	522	451	500	432	476	412	464	401	331	286
	400	784	678	758	655	716	619	671	580	644	557	614	531	586	507	426	368
	500	950	821	917	793	865	748	811	701	778	673	741	641	708	612	515	445
	600	1103	954	1065	921	1006	870	944	816	907	784	863	746	827	715	598	517
	900	1509	1305	1456	1259	1338	1157	1290	1115	1239	1071	1180	1020	1070	925	822	711
21 - PKP	300	945	817	912	789	862	745	808	699	776	671	739	639	707	611	515	445
	400	1199	1037	1155	999	1094	946	1025	886	984	851	967	824	894	773	650	562
	500	1431	1237	1382	1195	1305	1128	1224	1058	1174	1015	1118	967	1069	924	774	669
	600	1645	1422	1586	1371	1499	1296	1405	1215	1349	1166	1285	1111	1227	1061	886	766
	900	1802	1558	1761	1523	1992	1722	1868	1615	1791	1549	1707	1476	1630	1409	1173	1014
22 - PKKP	300	1220	1055	1176	1017	1111	961	1000	865	953	824	909	786	866	778	673	583
	400	1549	1339	1495	1293	1411	1220	1323	1144	1272	1100	1210	1046	1150	994	838	725
	500	1852	1601	1788	1546	1687	1459	1582	1368	1520	1314	1447	1251	1381	1194	1000	865
	600	2131	1843	2056	1778	1942	1679	1820	1574	1748	1511	1665	1440	1589	1374	1147	992
	900	2846	2461	2746	2374	2593	2242	2547	2202	2334	2018	2223	1922	2122	1835	1529	1322
33 - PKKPKP	300	1739	1504	1678	1451	1584	1370	1486	1285	1426	1233	1359	1175	1298	1122	945	817
	400	2207	1908	2129	1841	2010	1738	1885	1630	1801	1557	1686	1458	1646	1423	1195	1033
	500	2644	2286	2550	2205	2340	2023	2259	1953	2168	1875	2064	1785	1971	1704	1425	1232
	600	3053	2640	2946	2547	2783	2406	2623	2268	2493	2156	2386	2063	2266	1959	1640	1418
	900	4150	3588	4004	3462	3780	3268	3545	3065	3406	2945	3012	2604	2978	2575	2231	1929

SKALA PANEL RADIATORS HEATING CAPACITIES (watt & kcal/h) 90/70 °C																	
RADIATOR TYPE	Radiator Height (mm)	ROOM TEMPERATURE (°C)															
		10 °C		12 °C		15 °C		18 °C		20 °C		22 °C		24 °C		26 °C	
		W	kcal/h	W	kcal/h	W	kcal/h	W	kcal/h	W	kcal/h	W	kcal/h	W	kcal/h	W	kcal/h
10 - P	300	481	414	468	402	441	379	415	356	403	346	384	330	363	316	271	234
	400	617	531	596	513	563	484	532	457	514	442	486	417	468	402	345	298
	500	752	647	720	619	681	585	648	557	618	531	585	503	559	480	401	346
	600	883	759	854	734	804	691	762	655	727	625	695	597	658	565	463	396
	900	1314	1130	1265	1088	1198	1030	1120	963	1078	927	1024	880	981	843	704	609
11 - PK	300	784	674	762	655	712	612	670	576	647	556	620	533	583	501	416	358
	400	1009	868	972	835	910	782	859	738	829	712	790	679	753	647	531	458
	500	1225	1054	1181	1015	1116	959	1045	898	1002	861	956	822	918	789	669	577
	600	1432	1231	1382	1188	1298	1116	1231	1058	1175	1010	1119	962	1083	931	781	677
	900	1997	1717	1920	1651	1815	1560	1715	1474	1639	1409	1563	1344	1498	1288	1081	932
21 - PKP	300	1138	979	1085	933	1028	884	963	828	918	789	875	752	838	720	601	518
	400	1439	1238	1386	1191	1314	1130	1231	1058	1179	1013	1119	962	1072	921	781	677
	500	1725	1484	1658	1425	1571	1351	1476	1269	1407	1210	1347	1158	1279	1099	921	804
	600	1996	1716	1914	1646	1810	1556	1690	1453	1628	1400	1547	1330	1483	1275	1081	941
	900	2670	2296	2573	2212	2423	2083	2283	1963	2189	1882	2093	1799	1999	1719	1451	1254
22 - PKKP	300	1506	1295	1447	1244	1362	1171	1285	1105	1226	1054	1167	1003	1124	966	809	704
	400	1927	1657	1846	1587	1738	1494	1635	1406	1574	1353	1493	1283	1428	1228	1011	874
	500	2321	1996	2241	1927	2098	1804	1972	1695	1883	1619	1809	1555	1718	1477	1247	1074
	600	2684	2308	2586	2223	2436	2094	2290	1969	2185	1879	2093	1799	2010	1728	1451	1254
	900	3669	3155	3531	3036	3328	2862	3136	2696	2999	2579	2873	2470	2739	2355	2013	1724
33 - PKKPKP	300	2210	1901	2125	1827	1997	1717	1882	1618	1795	1543	1719	1478	1635	1406	1181	1029
	400	2795	2404	2689	2312	2531	2176	2374	2041	2285	1965	2168	1864	2076	1785	1533	1339
	500	3347	2878	3218	2767	3032	2607	2847	2448	2720	2339	2598	2234	2481	2133	1839	1607
	600	3862	3321	3716	3195	3497	3007	3288	2827	3140	2700	3001	2580	2865	2463	2134	1851
	900	5261	4524	5068	4358	4770	4102	4486	3857	4291	3690	4105	3530	3920	3371	2946	2521

\* These data were given by TS 4310 and can vary by 5%.

Skala panel radiators are produced in a modern computer controlled fully automatic welding line with the latest technology and are 100% tested. The annual production capacity is approximately 1.500.000 million mt. Panel radiators are cleaned with degreasing, phosphating and passivation coating in accordance with DIN 55900. Then it is primed with a water-based dip paint system and oven dried. Thus, all surfaces in contact with air are primed.

In the last stage, the automatic robots paints the panels with Epoxy polyester electrostatic powder method. After these processes the radiators become resistant to all weather conditions and corrosion. Standard color of radiators is white RAL 9016.

The panel radiators brings innovation to living spaces with an anti-dust smooth surface. It can be easily cleaned due to the practical top grill and side covers.



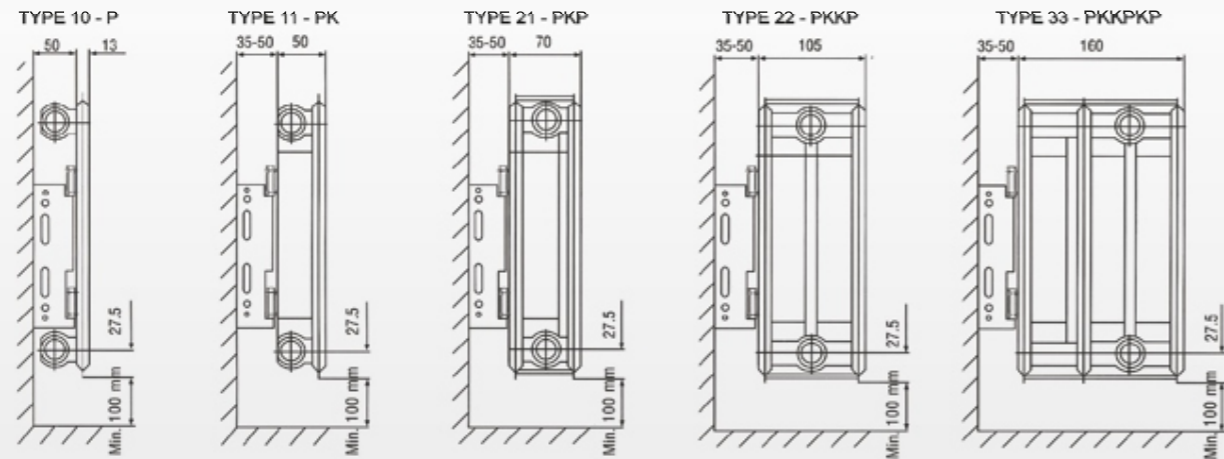
test pressure  
13 bar

- High tech
- Money saving solution
- Great comfort
- Easy & practical mounting
- Durable
- Aesthetic

## STEEL PANEL RADIATORS



## TYPES



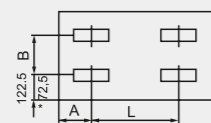
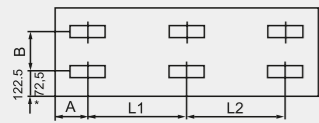
## CHARACTERISTICS

Skala panel radiators are available in 5 different types (10-P, 11-PK, 21-PKP, 22-PKPK, 33-PKKPKP), 6 different heights (300-400-500-550-600-900) and from 400 mm to 3000 mm. Produced in different lengths Skala radiators provides high pressure resistance with its optimum pitch of 33 mm, and provides savings and efficiency in operating costs thanks to its low water volume.

With its patented fitting, it can be mounted instead of cast and steel sliced radiators. It is suitable for floor-fed installations. If desired, it can also be mounted on the floor thanks to its special accessories.

With its special packaging, it is resistant to impacts during transportation and assembly. High performance, reasonable price and fast delivery are our biggest privileges.

## HOOK SIZES



L=Radiators Leight, B=brackets

Length of Radiators	TYPE / 10-11-21-22-33	
	L1	L2
1500	666.5	633.5
1600	700	700
1700	766.5	733.5
1800	800	800
1900	866.5	833.5
2000	900	900
2100	966.5	933.5
2200	1000	1000
2300	1066.5	1033.5
2400	1100	1100
2500	1166.5	1133.5
2600	1200	1200
2700	1266.5	1233.5
2800	1300	1300
2900	1366.5	1333.5
3000	1400	1400

Height of Radiators	B
300	155
400	155
500	255
550	305
600	355
900	655

All measurements are mm.

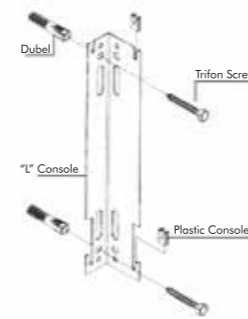
From 400 mm to 1400 mm with 100 mm

TYPE	A
10 - 11 - 21 - 22 - 33	100

\* Size of 72,5 mm is for height 300 mm

RADIATORS TYPE	DIMENSIONS		Weight (kg/mt)	Volume of Water (Lt/m)
	Height of Radiators (mm)	Distance between the axes		
10P	300	245	5,4	1,7
	400	345	7,37	2,03
	500	445	9,33	2,37
	550	500	10,3	2,53
	600	545	11,3	2,7
	900	845	17	3,31
11PK	300	245	7,6	1,66
	400	345	10,51	2,06
	500	445	13,42	2,47
	550	500	14,14	2,67
	600	545	16,33	2,87
	900	845	23,8	4
21PKP	300	245	13,9	3,4
	400	345	17,65	4,17
	500	445	22,10	4,93
	550	500	24,87	5,31
	600	545	27,64	5,7
	900	845	41,45	7,7
22PKPK	300	245	15,4	3,2
	400	345	20,87	4,1
	500	445	25,5	5
	550	500	27,8	5,45
	600	545	30,15	5,9
	900	845	49,2	7,6
33PKPKPK	300	245	23,7	5
	400	345	31,07	6,1
	500	445	40,43	7,2
	550	500	45,1	7,75
	600	545	49,8	8,3
	900	845	73,5	11,25

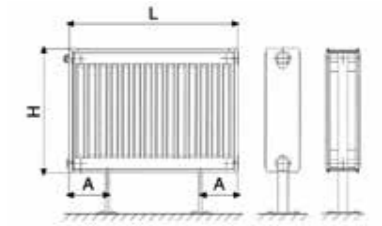
## L CONSOLE DIMENSIONS



Height of Radiators	Length of Console (mm)
300	177
400	177
500	277
550	327
600	377
900	677

All measurements are mm.

## FLOOR MOUNTING ACCESSORIES



L	From 400 mm to 3000 mm with 100 mm.
H	300-400-500-550-600-900

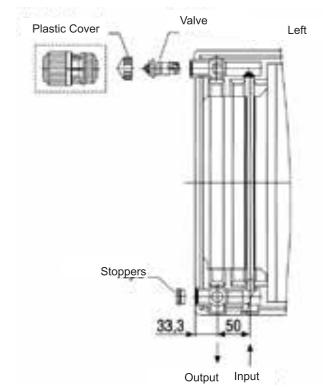
## INTEGRATED VENTIL PANELS



Skala panel radiators are suitable for floor fed, thermostatic valve controlled installations.

Upon order has to be specified the directions of hot-cold water inlet-outlet(left-right) and the position of valve and plug.

Thanks to 4 way inlet-outlet , classical assembly can also be done.



## PERFECT PACKAGING - PRACTICAL ASSEMBLY:

Skala panel radiators are packed with shock-absorbing bubble wrap. The corners are protected with cardboard, and the hooks are protected with thick plastic. Then, it is also covered with shrink nylon against dust and moisture.

It can be assembled as packaged. Thus, it is not damaged during transportation and assembly, and in construction works such as plaster and paint.

The accessories required for wall mounting are included in the package.

